



CRSTHV

尺寸(Dimensions) CRSTHV:70X19X20.5mm

特点 Features

- 1,Breakdown Voltage Is DC.10KV
- 2,PCB type,PCB+Wire type

订货信息 Ordering information

CRSTHV-14KV-A-W

1 2 3 4

- 1,型号 Part number: CRSTHV
- 2,开关电压 Breakdown Voltage Min (KV):DC:10
- 3,接触形式 Contact Form:A:Normal Open,B:Normal Close
- 4,端脚形式 Teminal Type:无 NIL:PCB type,W:PCB+Wire

触点数据 Contact Rating

Contact Arrangement	1A(1H)(SPST NO); 1B(1B)(SPST NC);
Contact Rating	50W
Max.Switching Voltage (DC or AC PEAK) Max	DC.7KV,
Breakdown Voltage Min	DC.10KV
Max.Switching Current	2.0A
Max.Carry Current	3.0A
寿命 Operation Life	电气 Electrical DC.10000V-1mA 0.5X10 ⁶ MIN Operations(R.L.)
	机械 Mechanical 1*10 ⁸ MIN Operations(R.L.)

线圈参数 Coil Parameter (23°C)

线圈电压 Coil voltage (VDC)		线圈电阻 Coil Resistance Ω ±10%	线圈电流 Normal Current(mA)	释放电压 VDC Release voltage VDC(Min) (额定电压的 10%) (10% of rated voltage)	吸合电压 VDC(最大) Pick up Voltage VDC(Max) 额定电压的 80% (80% of Rated voltage)
额定 Rated	最大 Max				
5	6.5	50	100.0	0.5	4.0
12	15.6	200	60.0	1.2	9.6
24	31.2	720	33.3	2.4	19.2

注意:1,使用的线圈电压低于线圈额定电压时将会损害继电器的工作.

2,吸合,释放电压仅供检测用,不是设计的使用指标.

Caution:1,The use of any coil voltage less than the rated coil voltage will compromise the operation of the relay.

2,Pick up and release voltage are for test purposes only and are not be used as design criteria.

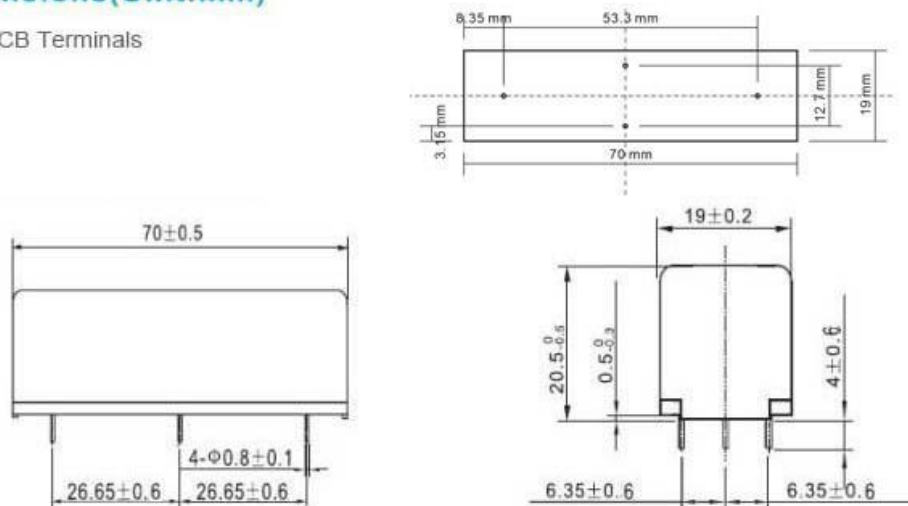
技术特性 Operation condition

Contact Resistance	150mΩ MAX.(Initial)
Breakdown Voltage	Open Contacts DC.10KV MIN Contacts to COIL DC.15KV MIN
Insulation Resistance	Open contacts 1X10 ⁹ ΩMIN.(DC.100V) Contacts to coil 1X10 ⁹ ΩMIN.(DC.100V)
Electromotive Capacitance	2.0pF MAX.
Operate Time	(Incl.bounce)4.0mS MAX.(at Normal Voltage)
Release Time	2.0mS MAX.(at Normal Voltage)
Vibration	20G(0~55Hz.1.5mm)
Shock	30G(11mS,1/2Sin Wave)
Operating Temperature	-20℃--+70℃
Storage Temperature	-35℃--+90℃

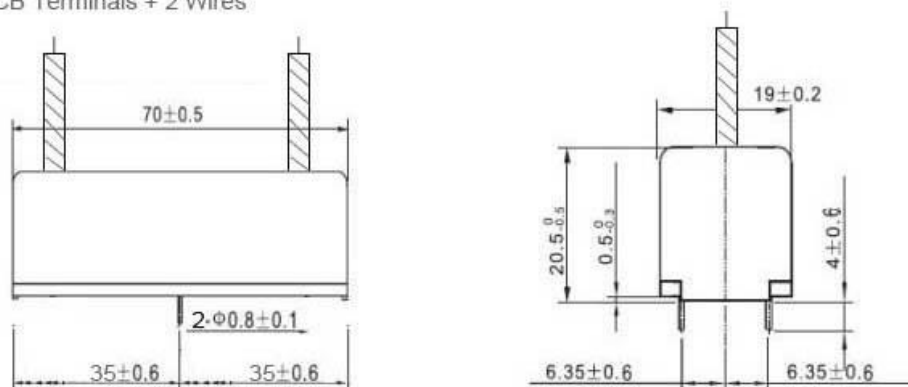
外形尺寸 Dimensions(mm/Inch)

Dimensions(Unit:mm)

4 PCB Terminals



2 PCB Terminals + 2 Wires



Wiring Diagrams(Top View)

